

2017 A-Team Rules and Regulations

Official A-Team rules for the 2017 ASABE International Quarter Scale Tractor Student Design Competition

Design Criteria - Rules

1. Team and Driver Eligibility:

- 1.1. All team members must have been enrolled during at least one semester or one quarter of the design contest school year and have a National ASABE Student Membership.
- 1.2. Team drivers must meet above qualifications and must be enrolled at the school for which they are representing.
- 1.3. The tractor must be designed entirely by the student team members, without direct involvement from outside professionals or faculty. However, as with any design project - faculty, vendor technical support or other professionals may be consulted for advice in selecting and designing specific components. In addition, although not always possible, it is encouraged that the students perform the majority of the fabrication themselves, because this is an important part of the learning process.
- 1.4. A second team per school will be allowed. Schools with two teams must have two significantly different designs; schools that come with multiple teams, with similar tractors, will not be allowed to compete. The school must have two independent teams with different advisors and may not have members participating on both teams. Any second teams wishing to compete will be decided by a lottery selection. The second main teams will need to purchase their own engines and tires. New schools will have priority over second teams to enter the contest.

2. Size:

- 2.1. Width - no part of the tractor may be wider than 72 inches (1829 mm) maximum.
- 2.2. Length - no part of the tractor may protrude further forward than 96 inches (2438 mm) from the center of the rear axle.
- 2.3. Weight - no tractor may exceed 800 lbs. (363 kg) maximum gross vehicle weight (includes all fluids), without operator and ballast.
- 2.4. Pulling Weight classes = 1000 lbs. (454 kg) maximum (class I), 1500 lbs. (680 kg) maximum (class II) All tractors will compete in all classes. Durability Event Weight class = 1500 lbs. (680 kg) maximum. Weight classes include weight of tractor, driver, and ballast.

3. Configuration:

- 3.1. Wheelbase changes are not allowed unless they can be accomplished by the driver from the seat.
- 3.2. Unless otherwise noted in a rules section, tractor components are not allowed to be added or removed for all scored events.

- 3.3. Tractors can have a maximum of 4 drive tires. The same number of drive tires must be used throughout the competition.
 - 3.3.1. Tractors utilizing one axle for all driven tires must use the Titan 26 x 12.00 – 12 TRU POWER for all driven tires.
 - 3.3.2. Tractors utilizing two axles for driven tires must use the Titan 26 x 12.00 – 12 TRU POWER for all driven tires on one axle and must use tires for the other axle that have a diameter at least 20% smaller than the Titan 26x12-12 tire which is 25.6 in (650 mm).

Note: An axle is considered to be two or more tires sharing a common centerline.
- 3.4. All pulls will be performed with the chain attached to the bottom of the sled pan.
- 3.5. Tractors will be allowed a maximum hitch height of 13 inches (330 mm) for the pulling event. For the durability event, the hitch height must be 12.5 +/- 0.5 inches (317.5 +/- 13 mm) (See Figure A-4).
- 3.6. No energy storing devices may be used to power the transmission. A clutch assembly will NOT be considered an energy-storing device, if it is reasonably designed.
- 3.7. Components may not be removed from the tractor to meet weight requirements.
- 3.8. The tractor drivetrain must have the same configuration for all performance and scored events. Only components related to drivetrain ratio changes are allowed to be switched. (i.e. teams will not be allowed to swap a locked differential for an unlocked one or vice versa. Teams may not swap complete drive axles.)
 - 3.8.1. If a component fails, the team must show the designated competition official that the failed component was replaced with a comparable component.
- 3.9. All tractors must meet the minimum approach and departure angles as depicted in the Appendix, Figure A-8. This includes weights and mid-body chassis clearance while driving on and off the scales or brake test stand.
- 3.10. Any air or fluid suspension system must be used in accordance with the specifications of the manufacturer.
- 3.11. Tractor hitch, frame components, ballast, or any other tractor components may not contact, support, or interfere with the hook or chain at any time during the pull.

3.12. Designs must include a tow hook with a minimum 1.25 inch (32mm) hole on the front of the tractor for use in case of mechanical failure. Tow hook must be rigid enough to tow fully ballasted tractor and provide clearance for attaching tow rope.

4. **Frame:** Each team must design a fully customized frame. Commercially available lawn and garden tractor chassis or frames are NOT allowed in any form, segmented, modified, reproduced, or otherwise.

5. **Engine:** All tractors must use a Briggs & Stratton 31-hp Vanguard engine (Models 543477-0110-E1, 543477-0157-E1, 543477-1110-E1, 543477-3110-B1, or 543477-3110-G1) factory sealed as delivered. No unauthorized modifications or repairs, internal or external, will be allowed to the engine except as specified in this section. See “*Engine Configuration and Requirements*” (Appendix, Figure A-12) for guidelines each engine must meet to be eligible for competition.

Engines for teams placing first, second, and third in the performance event will be returned to Briggs & Stratton for disassembly and inspection after the event.

Teams must purchase engines directly through ASABE. For additional information contact the Rules Chair listed in Section 23.3.

Only Briggs and Stratton accessories can be installed on engines, except for exhaust systems. The Rules Committee must approve any installation of this type of accessory in advance. For additional information, contact the Rules Chair listed in Section 23.3. Individual teams are responsible for the purchase of accessories.

5.1. **Governor:** Each 31-hp engine is equipped with a governor that is factory set to 3600 rpm “top no-load speed”. The governor idle for the 31-hp engines will be set at 1550 rpm (spring 809863) or 1750 rpm (spring 809875) during the tech inspection (teams can choose either based on their idle spring). There is no option for a lower idle speed spring for the 31-hp engine than the 1550 rpm spring. Teams are responsible to ensure that their engine is set to – and remains set to – these speeds.

5.1.1. Any team found tampering with the governor during the competition will be disqualified. Random inspection of the governor may be conducted at any time during the competition.

5.1.2. Designs must have adequate clearance to install and use the Briggs and Stratton speed adjusting tool in Appendix, Figure A-12. Appendix, Figure A-7 shows the locations of the high and low idle adjustments for the 31-hp engine.

5.2. **Carburetor:** The carburetor is a “fixed jet” type and must remain stock as delivered. Jets and needles may not be replaced and all stock adjusters must be used. “Cooling Cans” can be used to cool intake air and fuel (Note: Liquid nitrogen can not be used as a coolant). NO turbo-chargers, superchargers, or other pressurization devices are permitted.

5.3. **Fuel Pump:** Teams are not allowed to remove the stock fuel pump or modify any lines connected to it, other than the suction line. If more head pressure is needed prior to the original fuel pump, an additional fuel pump can be used to do this, provided it does not exceed 1.5 psi (10.3 kPa). Engines may not be

modified to get an impulse for an additional vacuum pump. Additionally, if an electric fuel pump is used, it must be wired to shut off when the kill switch is pulled (refer to Section 12).

5.4. **Flywheel:** The original engine flywheel must remain intact and may not be altered in any manner.

5.5. **Exhaust Pipes:**

5.5.1. Tuned exhaust systems can be used.

5.5.2. Exhaust systems must be guarded per section 4.12 of ISO 5395-3 standard, with the exception that hoods may not be used as guards. Guards should be constructed of high quality materials so they do not deflect under reasonable load and contact any exhaust component. Chicken wire or similar materials are not acceptable.

5.5.3. Exhaust pipes and exhaust gases must be positioned and directed such that they will not affect the tractor operator, track personnel and/or sled operator. In addition, exhaust discharge may not be pointed downward or within 45 degrees to the rear of the vehicle.

5.5.4. The maximum pass-by noise level with all engines at full throttle and a forward ground speed of 4 ± 2 mph may not exceed 94 dB(A). Sound measurements will be taken at a distance of 4.0 m (13.1 ft) from the centerline of a 20 m driving path, with the microphone located vertically at 1.2 m (3.9 ft). The maximum level will be taken as the Fast Max, A-Weighted sound pressure level at the microphone during the time that the tractor is in the test range. Three runs will be made in each direction, and the final level will be the higher of the average of the two directions. See Figure A-11 for a diagram of the test setup. Design points for sound will only be awarded for levels below 91 dB(A).

a. Tractors must have a means to maintain required ground speed at full engine speed without the use of clutch shims, riding the clutch, etc.

Tractors that fail to meet the 94 dB(A) standard have a secondary option to pass the requirement through presentation of results of team testing in written format. This is only a secondary option.

5.5.5. The exhaust system used during the sound testing must remain in the same configuration during the entire competition with no addition, adjustment, or removal of any components or accessories during any part of the competition (i.e. chrome covers for static judging).

5.6. **Engine Color:** Engine/engine shroud must maintain the original manufacturer’s color scheme and may not be altered in any manner.

5.7. **Ignition System:** Original factory installed ignition system may not be altered in any manner. However, teams are permitted to substitute factory-installed spark plugs with any brand of choice.

5.7.1. The 8-pin electrical connector on the 31-hp engine must remain as installed from the factory. Part numbers for the mating connector are as follows:

- Housing – Packard/Pioneer p/n 2965972
- Terminals – Packard/Pioneer p/n 2965481

One complete set of these mating connector parts will be shipped with each 31-hp engine.

- 5.8. **Fuel Line:** The fuel filter must be within the specified maximum hose length from the factory installed fuel pump inlet.
- 31-hp Engine Models 0110-E1 and 0157-E1 – 20 inches (508 mm)
 - 31-hp Engine Model 1110-E1, 3110-B1, and 3110-G1 – 7.5 inches (191 mm)
- 5.9. **Throttle:** The tractor must have a “Dead-man” throttle, which returns the engine to low idle upon release.
- 5.9.1. The throttle return spring must not be attached to or within 12 inches (305 mm) of the sliding component of the engine control bracket (see Appendix, Figure A-7)
- 5.9.2. The engine throttle control at the operator station must move the throttle sliding component through its full range of travel (from stop to stop).
- 5.10. **Engine PTO:** Tractors must not have bearings installed on either front or rear engine PTO shafts i.e. no bearing can rotate when engine is disconnected from drivetrain.
- 6. Fuel and Lubricants:** Gasoline will be supplied at the competition to ensure equal engine performance. Eighty-seven (87) octane fuel will be used.
- 6.1. Any oil brand that satisfies Briggs & Stratton operator manual recommendations is acceptable.
- 6.2. Combustible additives/compounds or any other performance enhancing additive may not be added to the fuel, lubrication, or air intake systems.
- 7. Fuel System Safety Requirements:**
- 7.1. One (1) fuel tank per tractor with a maximum capacity of 6 quarts (5.68 L) is permitted. A sight gauge or transparent tank with a 1-quart level mark must be incorporated on the tank/gauge.
- 7.2. A manual fuel shutoff must be mounted at the tank’s outlet or installed inline between the fuel tank and the fuel pump. The shutoff must be accessible from the outside of the tractor without having to move or remove any tractor components, including hood, and without having to use tools (i.e. hand operated).
- 7.3. A dedicated drain line and control valve, with quick and easy access, must be incorporated into the fuel system to allow draining of the fuel. The drain line must be accessible from outside the tractor, without the removal of shielding, and must drain to the ground without contacting any other tractor components.
- 7.4. Fuel tank may not be mounted in the same sealed compartment as any battery. The fuel tank and fuel drain line outlet must be a minimum of 24 inches (610 mm) from the battery. Fuel tank and battery mounting positions must be physically located in separate well-ventilated compartments.
- 7.5. Fuel tank must have a minimum opening of 1.25 inches (32 mm) diameter and be equipped with a vented, no-spill fuel cap that will prevent excessive fuel leakage (i.e. more than a drip) when inverted.
- 7.6. Fuel tank must have easy access to refuel with the Briggs and Stratton Smart-Fil fuel can.
- 8. Battery:**
- 8.1. Tractor designs are limited to a single battery. Battery must be capable of starting the vehicle consistently. Tractors will not be allowed to have “jump start” once hooked to the sled or during any scored event. Manufacturer label with specifications must be intact on batteries.
- 8.2. Battery must be rigidly mounted on the tractor frame/chassis in a well-ventilated compartment. (The use of rubber or elastic straps to secure batteries will not be permitted) Mounting location must be separate from the fuel tank location (refer to Section 7.4).
- 8.3. The positive battery terminal and all positive terminals throughout the machine must be completely covered to avoid inadvertent contact.
- 9. Clutches:** All clutch assemblies must rotate at engine speed or slower. A power-disengaging clutch, operable from the operator’s station by the driver, must be used in order to disconnect the tractor power in the event of an emergency, regardless of drivetrain configuration. This clutch must be activated by a pedal, lever, or by disengaging the throttle.
- 10. Service Brakes:** Tractors must have working service brakes.
- 10.1. A dynamic brake will NOT be allowed unless it is in conjunction with working service brake(s).
- 10.2. Outboard brakes (outside of final drives, U-Joints, and CV joints) are required on all wheels on the rear-most drive axle. If the rear axle has no further drivetrain elements (ex. differential, further gear reduction), a single brake on the rear axle is acceptable.
- 10.3. Service brakes will be tested during the technical inspection session. The tractor will be ballasted to 1500 lbs. (680 kg) with an operator sitting in the seat who will apply the brakes. The tractor will be raised on an incline of 20° and will need to fully lock the brake tires to pass the test. Tractors must hold at the full inclination and will not be permitted to slide at any point during the brake test.
- 11. Tires:**
- 11.1. All Titan 26 x 12.00 -12 TRU POWER tires must be stock, uncut for technical inspections. All other drive tires may be conditioned, cut, or sharpened for technical inspections.
- 11.2. All drive tires may be conditioned, cut, or sharpened for all performance events
- 11.3. The sidewalls of all tires must remain unaltered for all events.
- 11.4. The maximum wheel (rim) width allowed for the Titan 26 x 12.00 -12 tire is 12 inches (305 mm).
- 11.5. All other drive tires must utilize a tire/rim combination compatible with the manufacturer’s published specifications.

- 11.6. Tires may not be recapped.
- 11.7. Tires are the only approved traction device.
- 11.8. Based upon quantities available and team participation, Titan 26 x 12.00 -12 tires will be supplied by ASABE. Contact the Rules Chair in Section 23.3 if these tires or more information is needed.
- 12. Kill Switch:** All tractors must have a working kill-switch that shuts off the ignition and electric fuel pump (if one is installed) in the event of the tractor becoming detached from the sled, as shown in the Appendix, Figure A-4.
- 12.1. The kill switch must be located in the center of the rear of the tractor and have a 1/2-inch (13 mm) hole to which a tether cord can hook.
- 12.2. The kill switch must be positioned 13 - 15 inches (330 - 381 mm) above the tractor hitch/hook point of the sled chain.
- 12.3. A 5-inch (127 mm) square opening around the kill switch is required to allow for unobstructed hookup of the tether. This opening must remain unobstructed when the tractor is fully ballasted.
- 12.4. Kill switches may not be mounted to the hitch. Mounting hardware must be independent of the hitch such that the kill switch will remain intact in the event of hitch failure.
- 13. Wheelie Bars:** All tractors must have two wheelie bars and two bumper-bars. Wheelie bar designs can use either wheels or pads.
- 13.1. The center of the wheel or pad on the wheelie bars may not be less than 5 inches (127 mm) behind the rear of rear tires, and the bottom of the wheel or pad may not be higher than 4 inches (102 mm) above the ground. For the durability event, the bottom of the wheel or pad can be raised to a maximum of 8 inches (152 mm) above the ground (see Appendix, Figure A-1).
- 13.2. A minimum effective area of 18 total square inches (116 cm²) or no less than 9 square inches (58 cm²) per pad is required if pads are used.
- 13.3. A minimum effective diameter of 4 inches (102 mm) and a minimum effective width of 2 inches (51 mm) per wheel is required if wheels are used.
- 13.4. Wheelie bars must be rigid in all directions and able to support the full weight of the rear of the tractor with no deflection on one (1) wheel or pad regardless of configuration with the operator in place and ballasted to meet brake test requirement (see Appendix, Figure A-6).
- 13.5. Bumper-bars must protect wheelie pads/wheels from inadvertent sled contact. Bumper bars must be the furthest point rearward on the tractor. Bumper-bars must be rigidly attached to the back of the wheelie bars and consist of a 6-inch (152 mm) vertical member that will prevent the sled from "riding up" the wheelie bars. Bumper-bars must be designed as individual bars on each wheelie bar, as shown in the Appendix, Figure A-1.
- 14. Hitch:** The hitch can be adjustable. However, the hitch must have a means to lock it rigidly in all directions and may not move relative to the tractor chassis for all performance events.
- 14.1. Hitch must be fabricated from low carbon steel plate having a thickness of 1/2 to 3/4-inch (13 to 19 mm).
- 14.2. Hitch must incorporate a 1 7/8 +/- 1/8 inch (47 +/- 3 mm) diameter hole (See Appendix, Figure A-2).
- 14.3. A minimum of SAE Grade 5 or Metric Grade M8.8 fasteners must be used for attaching the hitch. Fasteners must meet the requirements as indicated in Appendix, Figure A-5.
- 14.4. All retaining nuts must be locking-nuts (nylon or thread deforming) with a minimum of two threads showing above the nut.
- 14.5. Hitch must be structurally independent from the wheelie bars.
- 14.6. Pulling point may not be more than 3/4-inch (19 mm) from back edge of hitching device (See Appendix, Figure A-2), parallel to, and not more than height specified in Rule 3.6 above the ground at all times (i.e. rear suspension at maximum height and front suspension at minimum height). This will be measured at the hook point on the top of the hitch, with the driver in the seat. *Active suspension systems must be able to reach its extremes on the scales for hitch height checks prior to each pull.*
- 14.7. Hook point must allow for easy hooking and unhooking of the chain with a minimum clearance zone around the hitch shown in Appendix, Figures A-1 & A-2. The upper zone must be maintained 12 inches (305 mm) above the top surface of the hitch plate, and the lower zone must be maintained 3 inches (76 mm) below the bottom surface of the hitch plate. This clearance zone must be maintained when the tractor is fully ballasted.
- 14.8. The hitch hook point must be on or rearward of the centerline of the rear axle.
- 15. Shielding and Guards:** ASABE, SAE, ANSI, ISO, and OPEI have developed numerous safety and shielding standards for agricultural equipment. Minimum shielding requirements must meet or exceed ASAE Standard S493, "Guarding for Agricultural Equipment." Specific shielding requirements are as follows:
- 15.1. Minimum thickness for shielding covering the peripheral area of rotating drivetrain parts (including couplers) other than bare shafts must be 1/8-inch (3 mm) thick for low carbon steel, or 1/4-inch (6 mm) thick for aluminum. The sides of guards and shields may be covered using expanded metal, provided it meets or exceeds ASAE Standard S493 (Refer to Appendix, Figure A-3 for shielding illustration). Couplers beyond final drive reductions are excluded.
- 15.2. All parts that rotate while the tractor is stationary and that the operator can come into contact with during normal starting and operation must be totally enclosed to safeguard against entanglement. The material type and thickness is open, as long as it prevents inadvertent contact from the rotating part(s).
- 15.3. Clutch Shielding:**
- 15.3.1. Clutches must be fully enclosed. Shielding must be a minimum of 1/8-inch (3 mm) thick low carbon steel or 1/4 inch (6 mm) thick aluminum. No expanded metal is allowed. Openings would be allowed for venting or passing through of other components as long as they meet the following requirements:

- a. There are no more than 6 total openings.
- b. They are not on the peripheral area of the clutch. Openings adjacent to the peripheral area of a clutch must be no closer than 1.5 in (38.1mm) from an edge of the peripheral area of the clutch.
- c. There is a maximum of 1/4" (6.35mm) opening in shielding for venting and/or between the shield and the component passing through the shield (i.e. chain, belt, etc.).
- d. Deflectors exist to prevent material that could come through the openings from contacting the operator or bystanders (i.e. frame rails, footrests, etc.).

15.3.2. Regardless of use, a CVT utilizing a centrifugal clutch must be shielded as a clutch. Note: Belts operating as a clutch must be shielded as a clutch.

15.4. **Driveshaft Shielding:** Driveshafts, regardless of length, must have one or more safety loops that will secure the driveshaft to prevent tractor damage and endangerment of the driver if a u-joint or other coupler were to break or the driveshaft were to come loose while still turning. One loop will be required for every 18 inches (457 mm) of driveshaft (universal joints included). Any driveshaft after the final drive is excluded from this rule.

15.5. Engine shields that are stock for the engine must remain intact, including the flywheel rotating screen.

15.6. If the flywheel screen is the furthest point forward on the tractor, a bumper must be incorporated to prevent contact between the rotating screen and stationary objects encountered during tractor movement (i.e. posts or other objects during tractor maneuvering in tight areas).

15.7. All shields must be securely fastened to the tractor frame or associated chassis members.

15.7.1. The use of at least 1/4-inch (6 mm) diameter SAE Grade 5 or Metric Grade M8.8 hardware will be required to fasten shields that are enclosing a clutch or shielding the peripheral area of rotating driveshaft parts. Fasteners must meet the requirements as indicated in Appendix, Figure A-5. Bungee strap type fasteners are not allowed. Tools must be required to remove the shields. (i.e. no wing nuts, thumb screws, etc.)

15.7.2. Shields that are only used to prevent inadvertent contact may be attached with appropriate fasteners. The type of fastener is open but should be capable of securely fastening the shield to the machine.

15.7.3. Any shield that is designed to incorporate both types of shields mentioned in section 15.7.1 and 15.7.2 must be fastened to the machine with hardware specified in section 15.7.1.

16. OEM Shielding: Tractor designs can use original equipment stock shielding for components if the manufacturer designed the shield for the specified component for the intended application. Teams are required to contact manufacturers and discuss proposed application, mounting arrangement, and ASABE rule specifications. Teams must supply manufacturer with appropriate design specifications/drawings

and documentation to make sure shield is adequate and receive written authorization to use the shield in the tractor design.

16.1. Teams must submit written manufacturing authorization by March 25, 2017 for OEM shields. This documentation must be submitted to the person named in Section 23.3. The shield will not be allowed at the competition if it is not submitted. Note: Documentation will not be accepted after the deadline.

16.2. OEM shielding must be verified for safety judges. Manufacturer literature or specifications must be presented to technical inspection judges to verify shielding meets Competition Rules.

16.3. Shield must be properly mounted/installed and may not be modified (i.e. drilling holes to lighten) in any manner that would weaken the original design

17. Steering: Tractor designs must incorporate traditional front axle steering mechanisms. *Any tractors with a steering system ruled unsafe by the rules committee will not be allowed to compete in performance events.*

17.1. If the tractor is equipped with a drive by wire type set up (i.e. no steering wheel), a grab handle must be positioned so that the driver can use it as support when driving the vehicle.

17.2. No rear or mid wheel steering.

17.3. No skid steering (i.e. powering wheels in opposite directions).

17.4. No articulated machines.

17.5. No narrow front ends are allowed (i.e. tricycle front ends). All steering tires must partially track within at least two of the rear tires when the tractor is driven straight forward. The front tire minimum track width is 24 inches (610 mm) on center.

17.6. Hardware requirements related to the steering system include all mechanical components from the steering wheel to the wheels being steered.

17.6.1. Only SAE Grade 5 or Metric Grade M8.8 fasteners can be used for attaching steering components. SAE Grade 8 fasteners are not acceptable due to safety considerations (Grade 8 will completely fail whereas Grade 5 will bend). Fasteners must meet the requirements as indicated in Appendix, Figure A-5.

17.6.2. All retaining nuts must be castle or locking nuts (nylon or thread deforming) with a minimum of 2 threads showing. If a screw is used in a threaded hole it must have a spring lock washer.

18. Body Components: Tractor designs must include functional footrests, and fenders

18.1. The hood may not be used as a shield or as a guard. The hood must incorporate a quick detachable design for access to the governor linkage for engine technical inspection (i.e. no bolt on hoods, sturdy quick release latches are acceptable).

18.2. Fenders must be functional, sturdy, and rigidly mounted to protect the driver from any wheels that the operator can contact from the operator's station during operation. Fenders must cover at least two-thirds the width of all affected tires and include inner fender walls to protect the operator from inadvertent contact with tires. Fenders must incorporate a

minimum radial coverage of 90 degrees and positioned so they best protect the operator.

18.2.1. Fenders must not deflect more than 0.5 inches (12.7 mm) towards the tire at the outermost edge when a 5-lb (2.27-kg) weight is placed on the fender over the centerline of the outermost tire.

18.3. Fenders and all other components must have a minimum clearance of 1.2 inches (30 mm) between the component and tire/rim peripheral area and a minimum clearance of 0.6 inches (15 mm) between the component and the inside of the tire.

18.4. Operator footrests must be sturdy and rigidly mounted to the tractor frame/chassis. Footrests must protect the operator from inadvertent contact with all tires and the ground.

19. Hydraulics:

19.1. The maximum system working pressure allowed for hydraulic systems on a tractor is 4,000 + 50 psi (276 + 3.4 bar). The maximum pressure of any system must be controlled by a relief valve, and be equal to or less than the lowest intermittent pressure rating of any component in the system. Non-powered brake and steering system are exempt.

19.2. Hydraulic hoses, tubes, and fittings must be rated for the corresponding system working pressure. Hoses need to be clearly marked with the OEM working pressure rating.

19.2.1. Pipe thread fittings are only allowed on pump suction lines, tank sight gages, or OEM components (i.e. hydraulic cylinder, hand powered steering pump, etc.) that use pipe thread connections. The hydraulic line attached to the OEM component port may ONLY utilize a pipe thread fitting to make the connection at the OEM component, unless the connection at the other end meets the exceptions defined by this rule.

- a. Note: OEM (Original Equipment Manufacturer) components are defined as components sourced from another completed product (a direct component supplier is not an OEM). For an OEM component with pipe thread fittings to be accepted for use at competition, documentation from the equipment manufacturer must be provided for the component to show it is rated for the working pressure of the tractor's hydraulic system. This documentation must be submitted with the documentation required in rule 19.10.

19.2.2. Hose clamps are only allowed on pump suction lines and tank sight gages.

19.3. Custom hydraulic system components, regardless of system pressure, may not be welded or braised as a method of joining, unless used in the pump suction lines or reservoir.

19.4. A test port, which is easily accessible, must be present at the high-pressure side of any pump and in any other system running a different working pressure (i.e. a pilot circuit). Test ports must remain on the tractor at all times and meet SAE Standard J1502.

19.4.1. Hydraulic steering systems that do not receive powered pump flow are not required to have test ports in the steering system. If charge pump flow or any other

powered flow is used to supply the steering circuit, test ports are required in the steering circuit.

19.5. Tractor design must incorporate a means (i.e. needle valves, solenoid valves, etc) for all system pressures (detailed in rule 19.1) to be tested without having to install external hardware into the systems during technical inspection. All components necessary for the pressure checking must remain on the tractor at all times.

19.6. Hydraulic lines must be located so they are not subject to damage from debris, from installing or removing adjacent components or from operator contact when mounting or dismounting the operator station.

19.7. Hydraulic lines must not rub any sharp edges. Hose guarding is required where damage may result. ALL exposed hoses during normal operation must be completely covered with a protective hose covering or continuous shielding.

19.8. Hydraulic lines must have a mechanism (clip/clamp intended for hydraulic use) to guide multiple hoses through their range of motion to prevent fouling (rubbing) or abrasive action.

19.9. Fasteners for hydraulic lines must be designed to withstand the line movement caused by pressure fluctuations in the system. Clips or clamps must be heavy enough to securely fasten the lines. Fasteners must not have sharp edges that could damage the lines.

19.10. If a hydraulic system is used on the tractor (non-powered brake and steering systems are exempt), a hydraulic system schematic (see Appendix, Figure A-9) and component list (see Appendix, Figure A-10) with factory specified pressure ratings must be submitted to the person named in Section 23.3 by March 25, 2017. If not received by that time, your team will not be eligible for "First Time Through" award for tech inspections. The schematic must include system components (tank, pumps, valves, motors, relief valves, check valves, test ports, etc.) drawn with standard symbols (refer to ISO 1219), as well as specifications pertaining to those components that dictate system operating characteristics (relief valve setting, flow from a pump, check valve ratings, orifice diameters, pump speed ratio, etc.). Any changes after the due date must be submitted to the person named above, immediately. Unpowered hydraulic steering systems do not require this documentation.

19.11.

20. Safety Design Requirements:

20.1. All tractors are required to have a fully charged, dry 2-lb. fire extinguisher (BC rating with functional gauge) mounted securely on the vehicle at all times. It must be accessible in case of fire and remain in its original mount and location throughout the event (i.e. the fire extinguisher may not be used or repositioned for ballast).

20.2. Operator presence and neutral detection devices are required to prevent inadvertent cranking and or starting of the engine(s).

20.2.1. An operator presence device must be used and must not allow cranking of the engine(s) unless the operator is in the operator's position, in the seat.

- 20.2.2. A neutral detection device must be used and must not allow cranking of the engine(s) unless the drivetrain is placed in its neutral position. With the engine running and the drivetrain placed in neutral, the machine shall remain stationary without operator input.
- 20.3. A positive powertrain disconnect must be incorporated into all tractor designs. The positive disconnect must be located between the engine PTO and the drivetrain. This positive disconnect may be a sliding coupler, Lovejoy coupler, Dodge coupler, or bare shaft. Any component remaining on the engine shaft may not exceed 4 inches (102 mm) in diameter and must be completely free to rotate with the engine shaft (i.e. may not be connected to a fixed member of the tractor). In addition, disengaged clutches will not count as quick-disconnects. Components left on the engine shaft during engine tech inspections must be shielded as required in normal operation (i.e., shields removed to aid in disconnecting the powertrain must be replaced).
- 20.3.1. Each engine must be able to be disconnected in less than 2 minutes by one person and reconnected in less than 2 minutes by one person. This includes the removal and installation of any shields, guards, and/or body components; exhaust heat shields may not be removed. *Operation of the disconnect(s) will be checked and timed during tech inspections.*
- 20.4. Sturdy seat with a minimum 12-inch (305 mm) tall backrest that will support the driver's lower back is required. Seat pan will be restricted to 22 inches (559 mm) maximum in length and 20 inches (508 mm) maximum in width. Seat and support must be adequate to maintain the operator's weight without any major deflection or failure during safe operation of vehicle. Pan-type seats are not permitted. Seats must be rigidly mounted and must not be able to move in any direction relative to the frame during operation. The back of the seat must not extend beyond the back of the rear tires.
- 20.5. Seats must include functional armrests on both sides. Armrests must be rigid in the fore/aft, lateral, and downward directions during operation. Armrests must extend a minimum of 8 inches (203 mm) from the front surface of the seat back, and be positioned a minimum of 6 inches (152 mm) above the top surface of the seat base.
- 20.6. Operator safety must be considered in the design and layout of all controls and components. Reference ISO 3411 and/or ISO 15077 to ensure that tractor designs safeguard the operator from injury due to contact with any components including tires during normal operation and during conditions of instability (wheel hop, front-end rare-ups, etc.). Designs must ensure that no part of the operator can contact exhaust pipe(s) when leaning forward or back.
- 20.7. Any fastening hardware that is required to meet a specific grade must have standard head markings as indicated in Appendix, Figure A-5.
- 20.8. Electrical components must follow the manufacturers recommended safety precautions. Original manufacturer's safety document must be available at time of technical inspections.
- 20.9. All tractors are required to pass a controllability test, which demonstrates the machine's ability to safely start, stop, and change direction in tight spaces. Tractors must be ballasted to 1500 lbs. (680 kg) for the duration of this test. The test is considered a pass if the procedure below is followed within the controllability area. Figure A-13 in the appendix shows the layout of the controllability test.
- 20.9.1. Test Procedure:
- With the engine running and the drivetrain placed in neutral, the machine shall remain stationary without operator input.
 - Enter controllability area – tractors may enter from either end of the test area.
 - Place a single rear tire fully within the boundary of the rectangle opposite the end of the entrance and bring tractor to a complete stop. (Note: once the selected rear tire has entered the first rectangle, that rear tire may not leave the 56 x 24 in. area of the two rectangles until the test is complete)
 - The rear tire must remain within the first rectangle for a minimum of 10 seconds (with the tractor engine running).
 - Place the same single rear tire fully within the boundary of the second rectangle and come to a complete stop.
 - The rear tire must remain within the second rectangle for a minimum of 10 seconds (with the tractor engine running).
 - With the engine running and the drivetrain placed in neutral, the machine shall remain stationary without operator input.
- 21. Ballast:**
- 21.1. The rear weights must not protrude more than 6 inches (152 mm) past the rear-most point of the rear tires.
- 21.2. Only ballast can be added and removed between pulls. Ballast is an object whose sole purpose is to be used to balance the tractor. Examples of ballast include weights, driver, and weight brackets. Examples of non-ballast items include hoods, front axles, body components, and drivetrain components. The same number of wheels must remain on the tractor; however, tire/rim combinations can be changed to accommodate different track conditions.
- 22. Data Acquisition:**
- 22.1. Data acquisition and controllers are allowed in the tractor design but may not affect or alter any portion of the engine performance.
- 22.2. Power for sensors or data acquisition devices may be supplied by a separate battery source.
- 22.3. Power for controller motors or similar equipment must be supplied by the tractor's battery (refer to Section 8).
- 23. Miscellaneous:**

ASABE INTERNATIONAL QUARTER-SCALE TRACTOR STUDENT DESIGN COMPETITION

2017 A-TEAM RULES AND REGULATIONS

23.1. National Contest Sponsor Decals will be supplied at the event and must be used. All teams must display the logo of the competition, major sponsors and their school's name and number on at least three sides of the tractor. The team name must be legible and printed in letters that are at least 2 inches tall. The team number must be legible and printed in numbers that are at least 4 inches tall. All decals must be in place in order to complete technical inspection. Sponsor decals must not be modified or trimmed in any way. Teams are responsible for making sure that all logos are displayed during all pulls. Failure to comply will result in team DISQUALIFICATION. Specific decal sizes and quantities will be listed in the Competition Handbook or other ASABE mailing (The number and size of decals are subject to change and will be finalized closer to the competition).

23.2. If a team withdraws from the competition, they must return the engine and tires to the Competition Organizing Committee. For this, please contact the Competition Rules Chair listed in Section 23.3

23.3. For all questions about the rules, engine related issues, or how to interpret the rules, contact the Competition Rules Chair: Eric Walker, Walker_Eric_R@cat.com.

Appendix – (All figures not to scale)

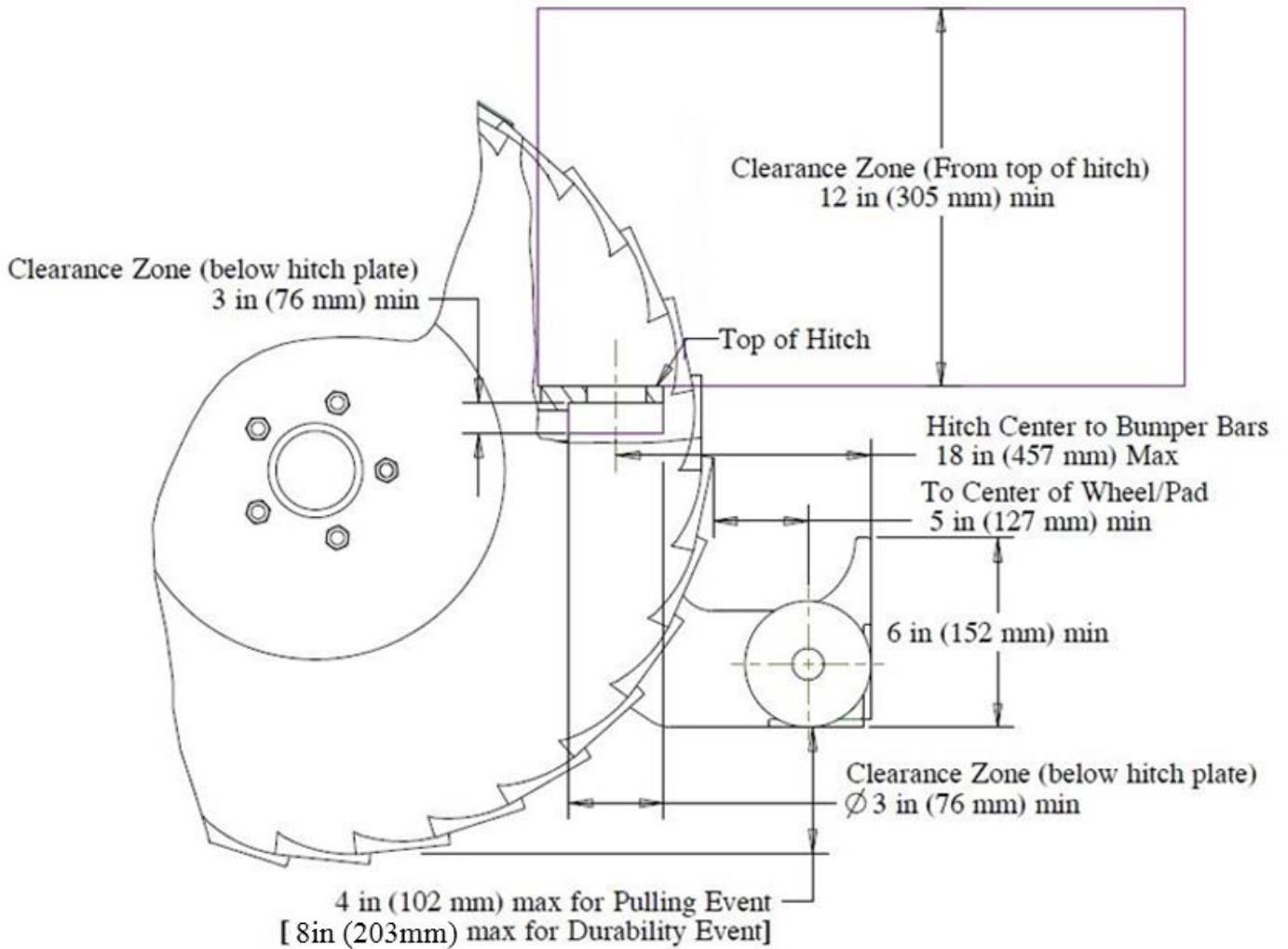


Figure A-1 Spacing of Wheelie Bar Unit and hitch clearance zone on Tractor (Wheels or Pads)

Appendix

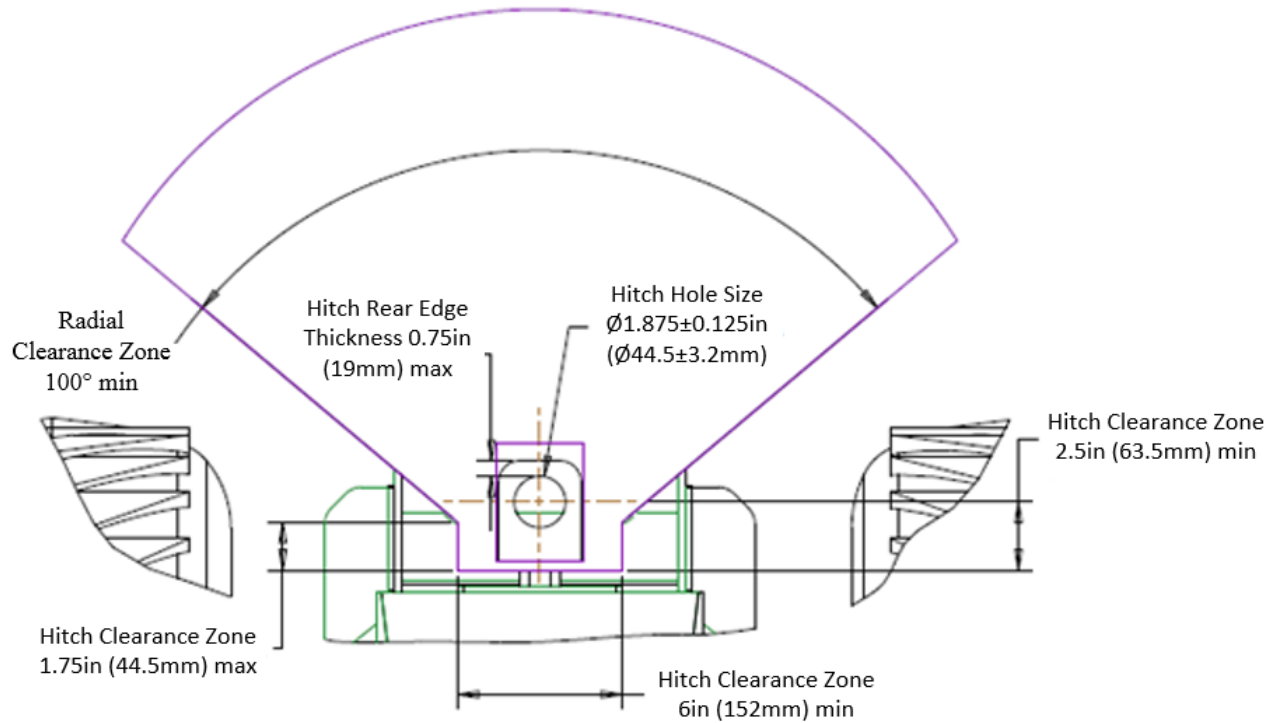
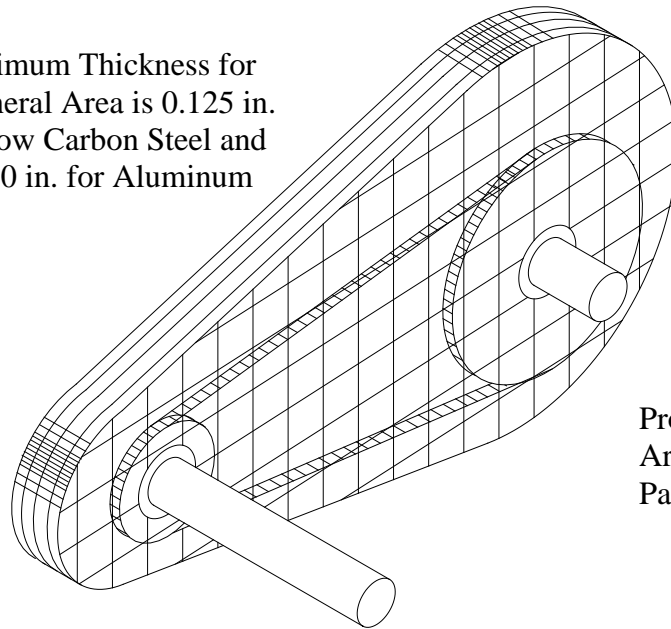


Figure A-2 Requirements of the Hitch Design

Minimum Thickness for
Peripheral Area is 0.125 in.
for Low Carbon Steel and
0.250 in. for Aluminum



Proper Shielding
Around All Moving
Parts is Required

Figure A-3 Example of Proper Shielding for Moving Parts

Appendix

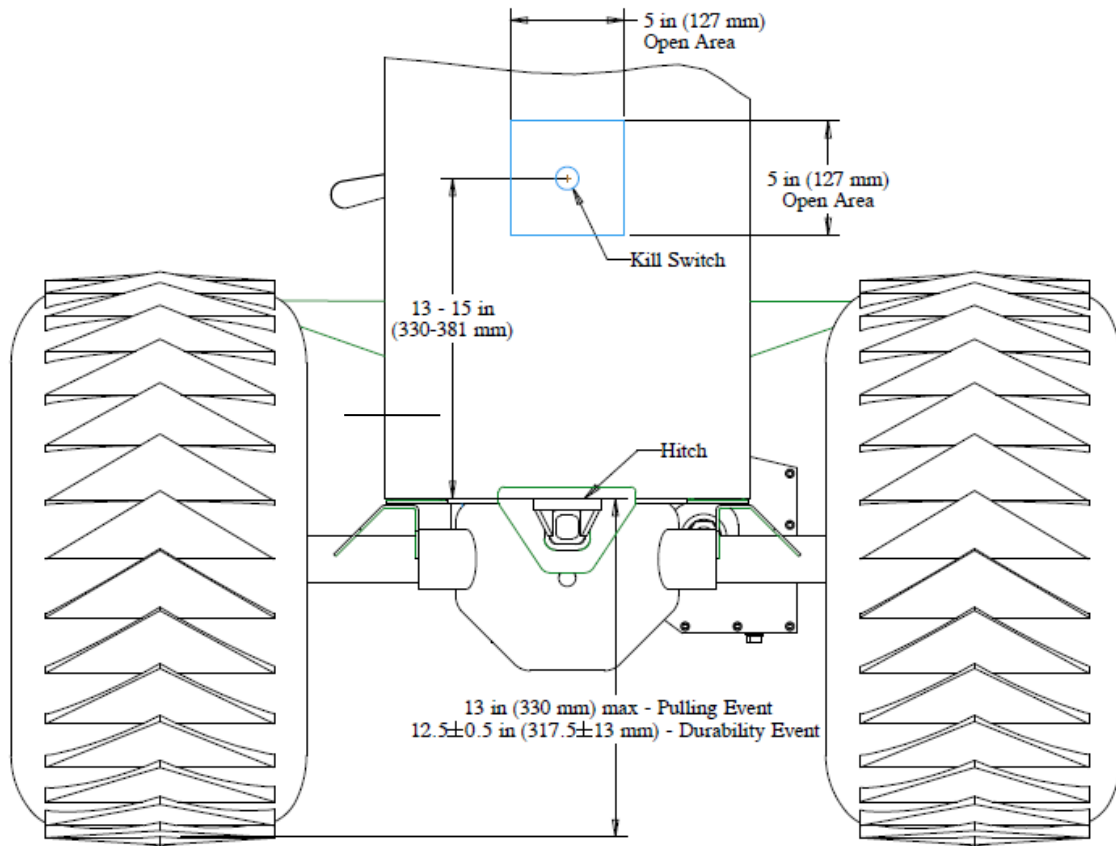


Figure A-4 Hitch and Kill Switch Specifications

Appendix



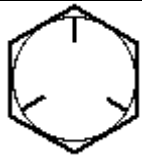

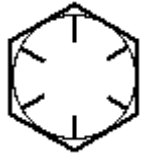

SAE Grade 2		Metric Grade 5.8	
SAE Grade 5		Metric Grade 8.8	
SAE Grade 8		Metric Grade 10.9	

Figure A-5 Bolt Head Markings

1. Fasteners should meet the following requirements,
 - a. The fastener head is clearly marked with the proper markings for the type of grade, as shown above.
 - b. If socket head type fastener is used then it must be black oxide coated, no zinc plated or stainless will be allowed.
 - c. If no markings are visible then proper documentation must be supplied at time of technical inspections, this includes a purchase receipt and manufacturer's documentation indicating fastener strength equivalent to at least Grade 5.

Appendix

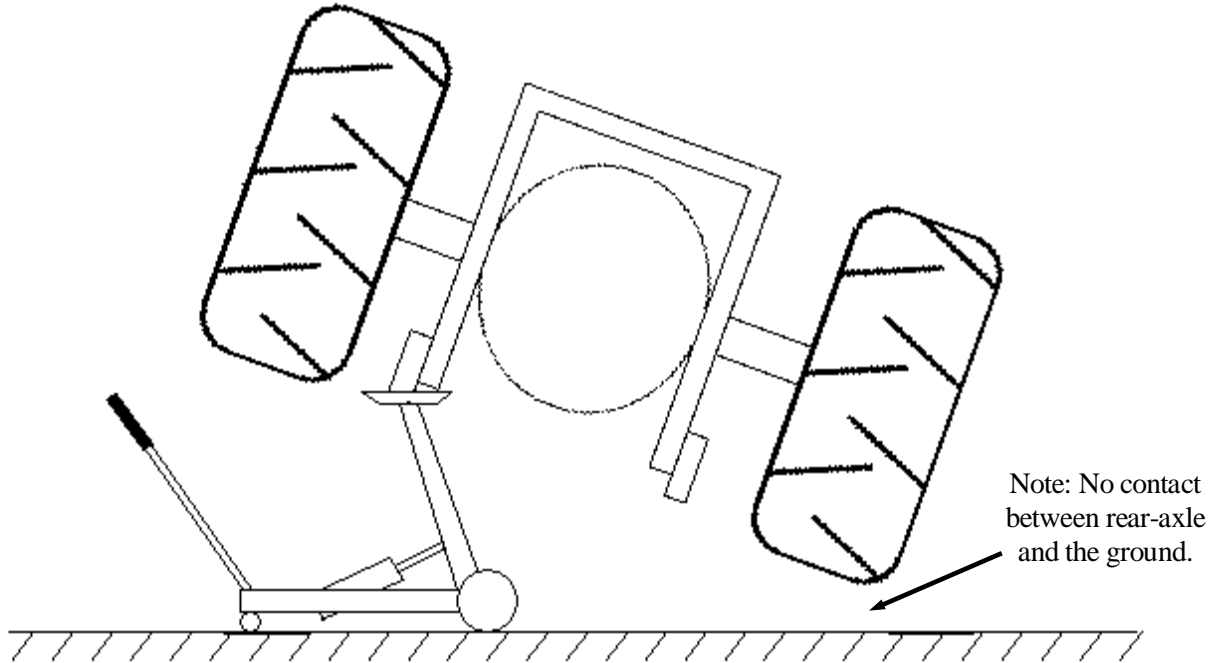


Figure A-6 Wheelie Bar Test

Appendix

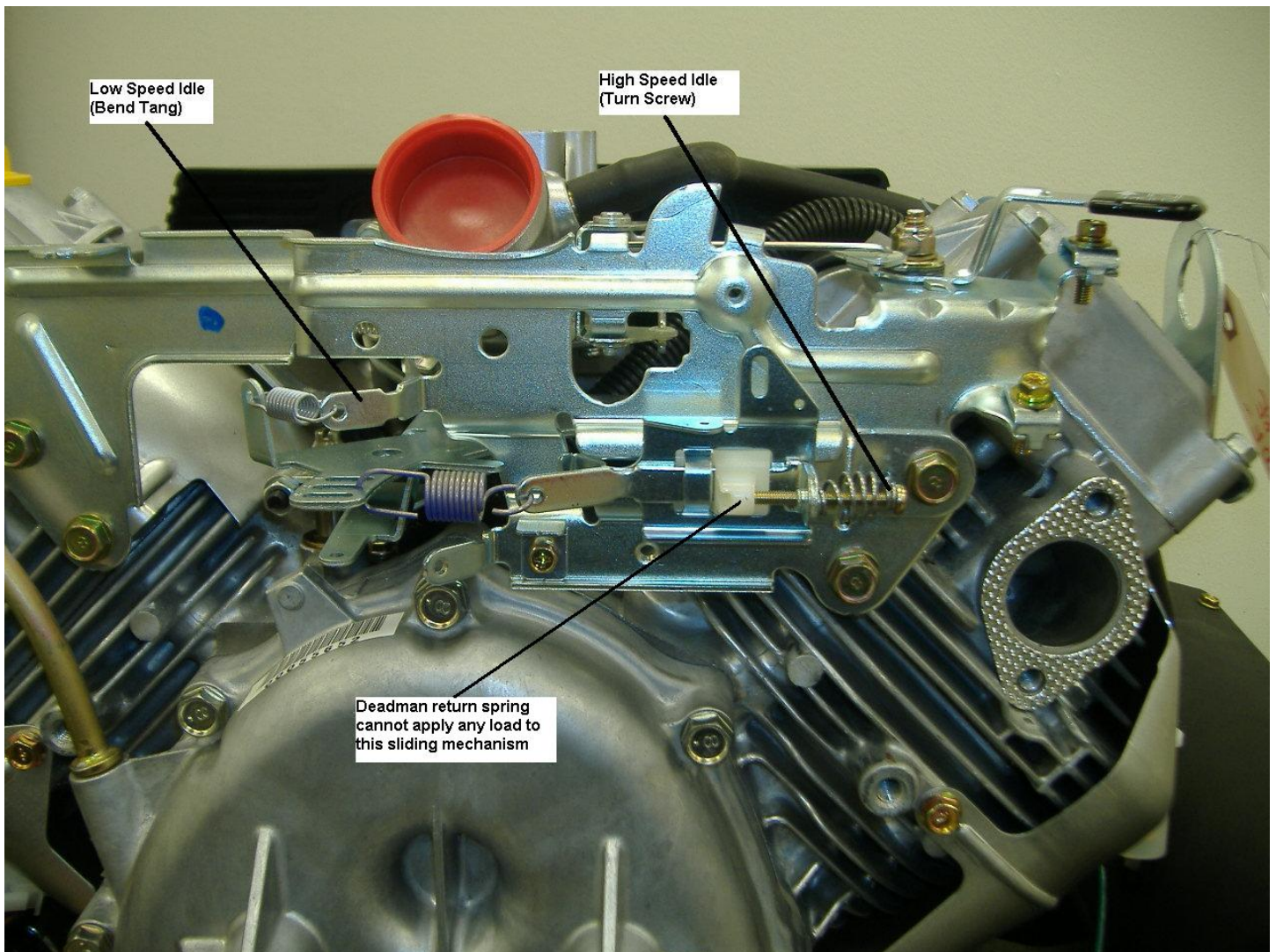


Figure A-7 31-hp Engine Throttle Cable Mechanism

Appendix

Tractor must have clearance with the brake test stand/scales while driving on and off (including all components such as tractor weights and mid-frame clearance).

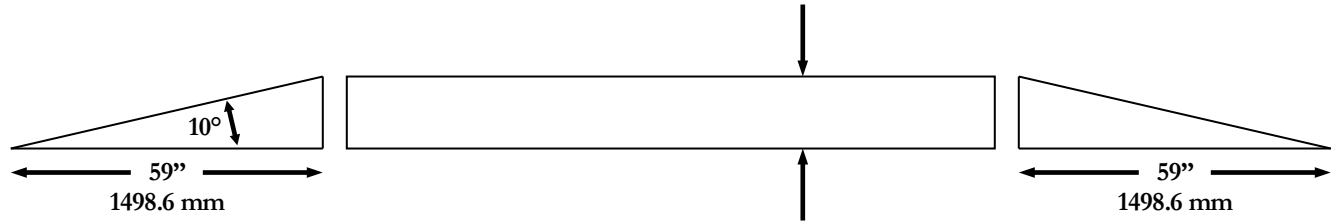


Figure A-8 Approach and Departure Requirements

Appendix

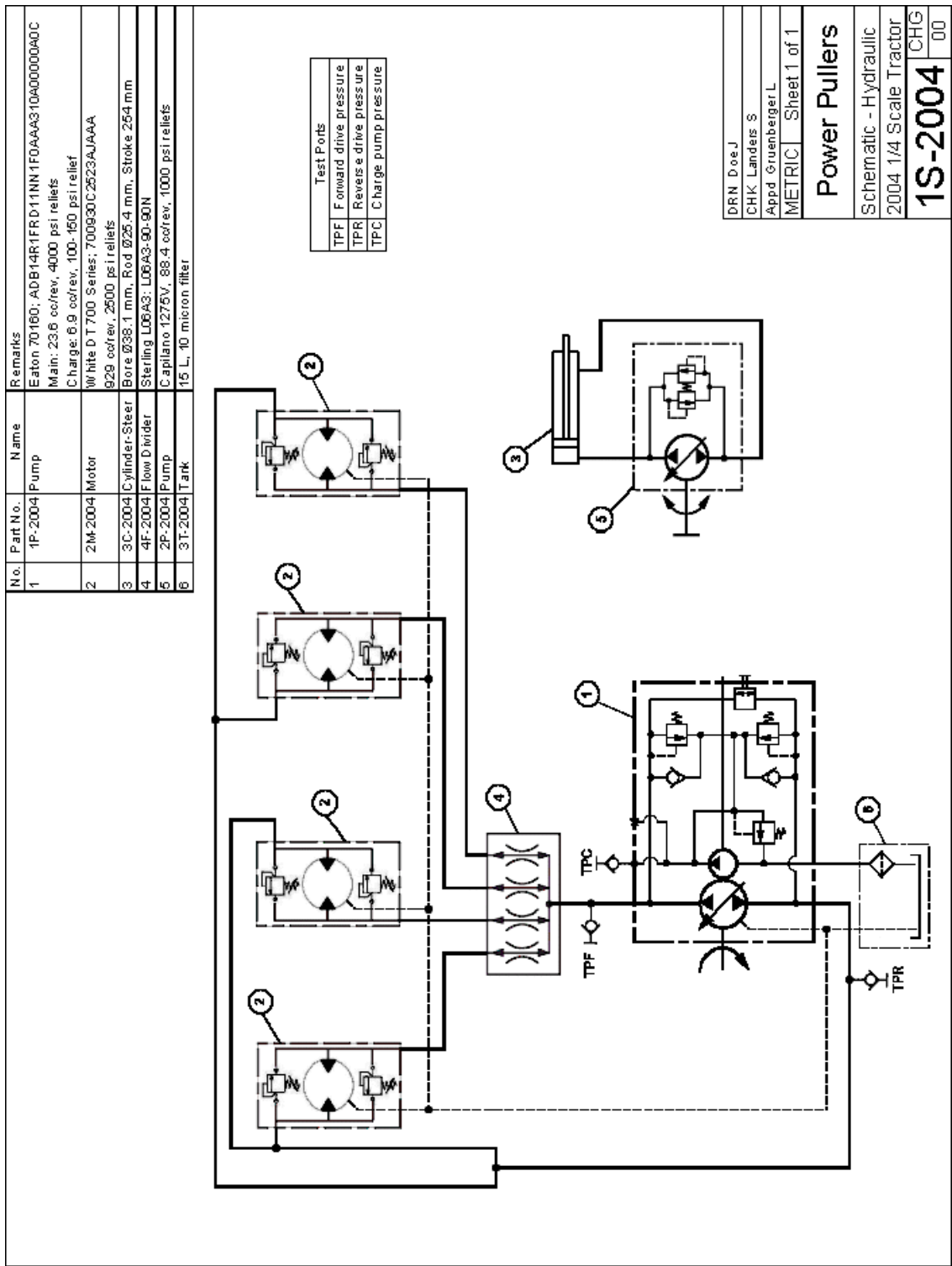


Figure A-9 Example Hydraulic Schematic

Appendix

Hydraulic Component List

Teams utilizing a hydraulic system on their tractor must supply a component list document (i.e. Microsoft Word), separate from the schematic, which contains the following information for all major components (pumps, motors, valves, flow dividers, cylinders, oil coolers, etc.):

Manufacturer and Model

Order Code

Manufacturer Pressure Ratings - Continuous, Intermittent, Peak (pumps, motors, etc.); Maximum (valves, flow dividers, etc.)

Pressure reducing valve settings (if the component contains any)

Pump flow at high idle (max. engine speed; pumps only)

Maximum Flow Rating (valves, flow dividers, motors, etc.)

Maximum Manufacturer's Speed (pumps and motors)

Examples:

Eaton Model 70160 Manually Controlled, Closed-loop, Variable Displacement, Piston Pump

Order Code: ADB14R1FRD11HH1F0AAA310A00000A0C

Manufacturer Pressure Ratings: Continuous - 3000 PSI

Max Intermittent - 5000 PSI

Reliefs Set At: Drive Pump - Two at 3000 PSI (one for each flow direction)

Charge Pump - 100-150 PSI

Pump Flow at HI: Drive Pump - 21.6 gpm

Charge Pump - 7.2 gpm

Maximum Manufacturer's Speed: 3600 rpm

Sterling Model L06A3 Spool type Flow Divider with Sterling Model LB10 Line Body

Order Code: L06A3-60-60-N

Maximum Manufacturer Pressure Rating: 6000 PSI direct

400 PSI max flow pressure drop

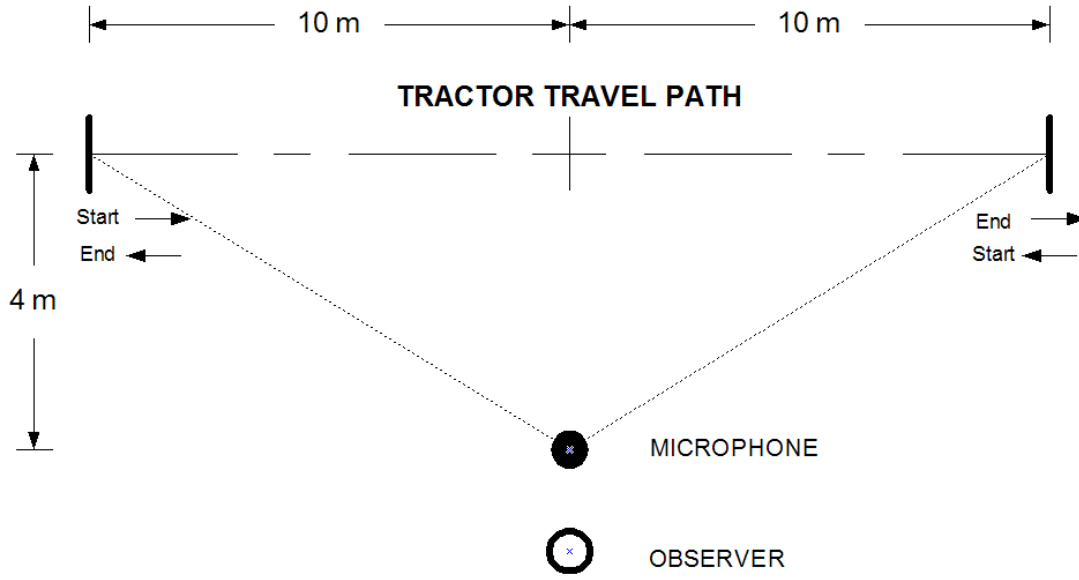
Maximum Flow Rating: 23.8 gpm

Order Code: LB10785S

Maximum Manufacturer Pressure Rating: 6000 PSI

Figure A-10 Component List Requirements and Examples

Appendix



16-

Figure A-11 Tractor Noise Test Setup

Appendix

31-hp Engine Configuration and Requirements

During the past couple years, it has been noticed by the committee that some engines on tractors at the competition have had wrong, damaged, or missing parts. This list below is a guideline that engines must comply with to compete at the competition. Use this guideline to inspect your engine and make the necessary changes.

1. All tractors must use engine Model 543477 and one of the following Type numbers
 - a) 0110-E1
 - b) 0157-E1
 - c) 1110-E1
 - d) 3110-B1
 - e) 3110-G1
2. All hardware, panels, and components on the engine as received, must be in place at the competition.
3. The 8 pin electrical connector must remain on the engine. Mating automotive style plug should be used:
 - a) Housing - Packard/Pioneer Housing p/n 2965972;
 - b) Male Terminals - Packard/Pioneer p/n 2965481.
4. A compatible ignition switch and wiring diagram is supplied with each engine.
5. All engines must use the following:
 - a) Fuel filter p/n 691035
 - b) Oil filter p/n 492932
 - c) Air cleaner cartridge p/n 841497
 - d) Air cleaner safety filter p/n 821136
6. A “dead man” return spring must not apply any loading to the governor sliding mechanism.
7. Stub shaft p/n 841304 requires p/n 841350 rotating screen (w/center hole).
8. Governor speed adjustments to be made by turning the spring-biased screw on the sliding mechanism.
9. There are no options for the oil filter location.
10. The air cleaner must not be remote mounted, with the exception of the rain cap as long as it still serves its original function.
11. Maximum fuel hose length between the fuel pump and fuel filter is:
 - a) 20” for types 0110-E1 and 0157-E1,
 - b) 7.5” for type 1110-E1, 3110-B1, and 3110-G1.
12. Muffler guard not available.

Figure A-12 31-hp Engine Configuration and Requirements

Appendix

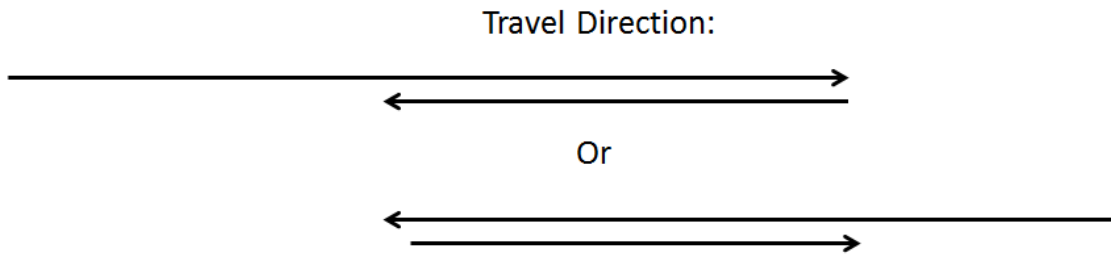
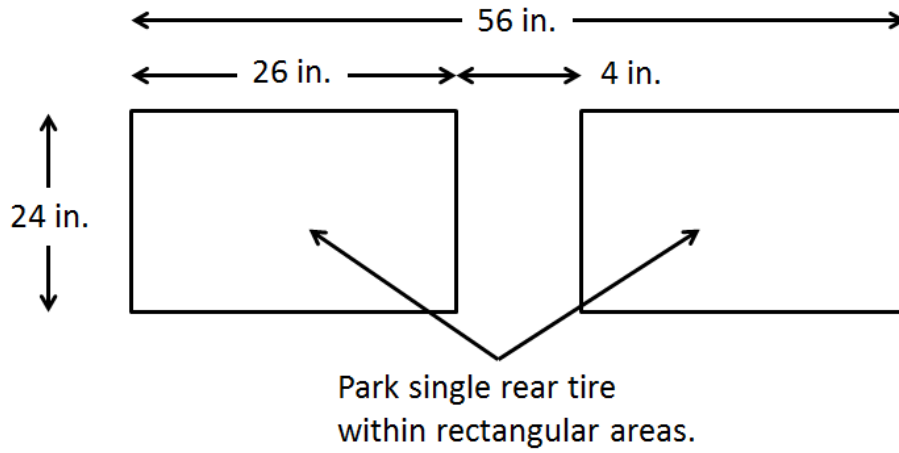


Figure A-13 Controllability Test Layout